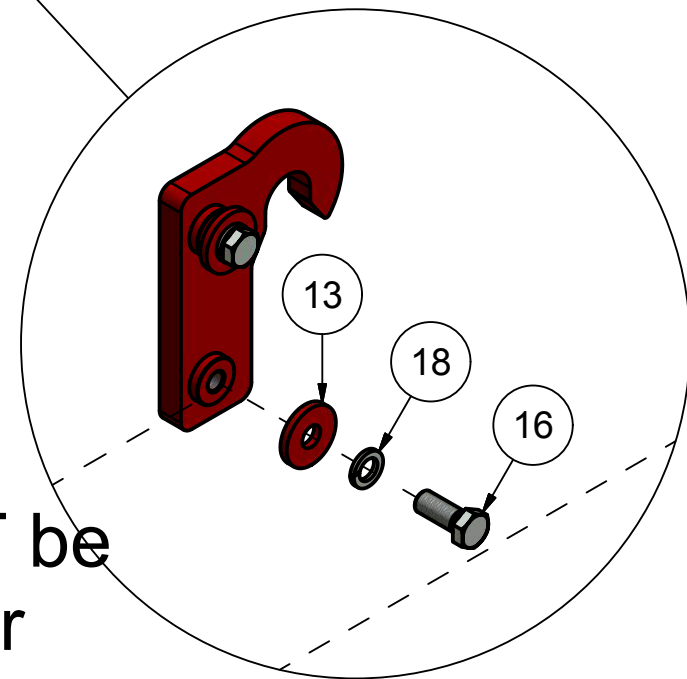
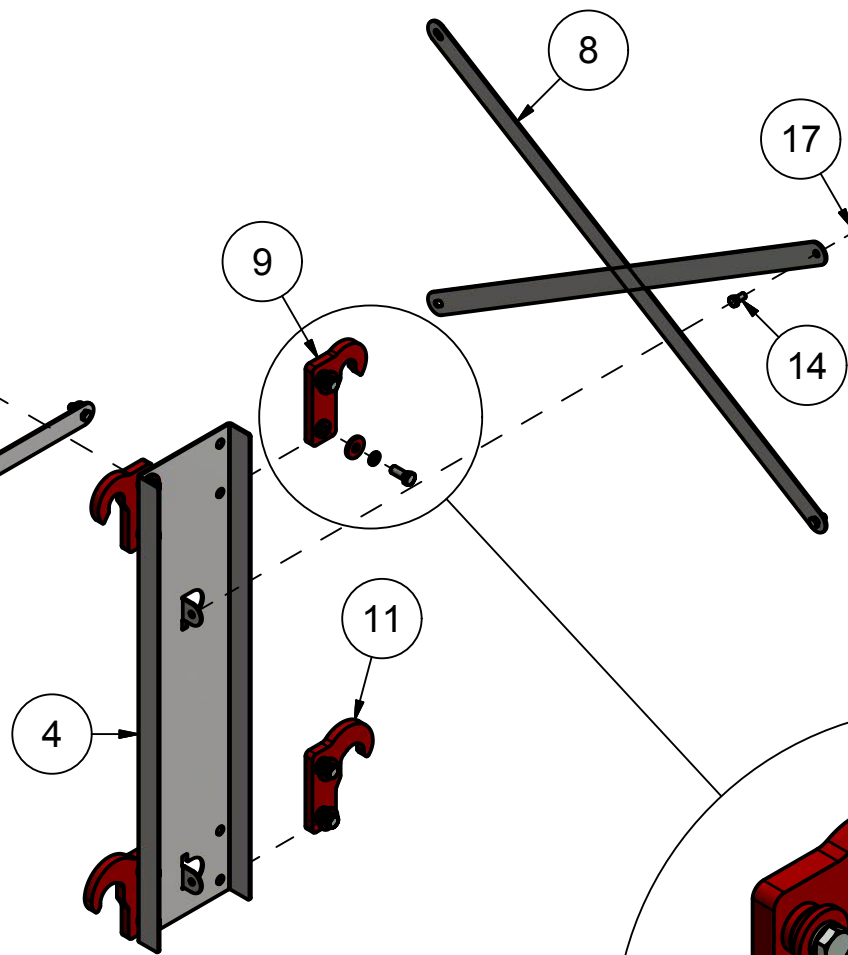


Steel parts and screws M12 must NOT be used on the Timber claw.



NB!
These parts **MUST** be used on the Timber claw.
(POS 9, 11, 13, 16, 18)